

# Train protection ETCS system All trackside types

## ETCS System Compatibility Test Description

### Document Management

	Name	Signature Date	Signature
<b>Written</b>	for, Thomas Destrée Loïc BreLOT		
<b>Checked</b>	Loic BreLOT		
<b>Approved</b>	Yves Werner		

This document is the property of Infrabel and contains confidential information. This document may not be reproduced to third parties within or outside Infrabel in any way whatsoever without the written permission of the service Signalling Projects.

**History**

Author	Version	Date	§ Adapted	Reason
T. Destrée	1.1 draft 1	17/08/2020	/	Creation of the document
T. Destrée	1.1 draft 2	27/08/2020		Review comments
L.Brelot	1.1 draft 3	28/08/2020		Clarification of the “practical” section in ESC_ALL_2
L.Brelot	1.1	31/08/2020		Major version

**Abrogated documents**

Name	Version	Date

**Distribution of the document**

<input type="checkbox"/>	Server	<server id> <path>	
<input type="checkbox"/>	Intranet	<path>	
<input type="checkbox"/>	SharePoint	<name>	
<input type="checkbox"/>	Circular letter	<nr>	
<input type="checkbox"/>	Message	<nr>	
<input type="checkbox"/>	Note	<nr>	
<input type="checkbox"/>	E-mail	<name>	@infrabel.be
		<name>	@<...>
<input type="checkbox"/>	Paper	<name>	<address>

**Announce of the publication of the document on intranet**

<input type="checkbox"/>	E-mail	<name>@infrabel.be
--------------------------	--------	--------------------

## Table of Contents

<b>1. INTRODUCTION.....</b>	<b>4</b>
1.1 PURPOSE OF THE DOCUMENT.....	4
1.2 BASIC DOCUMENTS.....	4
1.3 REFERENCE DOCUMENTS.....	4
1.4 ANNEXES.....	4
1.5 SCOPE.....	4
1.6 DEFINITIONS, SYMBOLS AND ABBREVIATIONS.....	4
1.7 KNOWN IMPERFECTIONS.....	5
<b>2. ON-BOARD EQUIPMENT.....</b>	<b>5</b>
<b>3. FUNCTIONALITIES.....</b>	<b>6</b>
<b>4. TEST SCENARIOS.....</b>	<b>7</b>
4.1 ESC_ALL_1.....	7
4.2 ESC_ALL_2.....	7
4.3 ESC_COM_1 RECEIVING A P203 BY AN OBU B3.....	8
4.3.1 Description.....	8
4.3.2 Scenario diagram.....	8
4.4 ESC_COM_2 NATIONAL VALUES OF OBU B3 IN ABSENCE OF P203 (DEFAULT VALUES).....	9
4.4.1 Description.....	9
4.4.2 Scenario diagram.....	9
4.5 ESC_COM_3 NATIONAL VALUES OF OBU B3 IN ABSENCE OF P203 (NATIONAL VALUES DEFINED ON BOARD).....	10
4.5.1 Description.....	10
4.5.2 Scenario diagram.....	10
4.6 ESC_COM_4 RECEIVING A P203 BY AN OBU B2.....	11
4.6.1 Description.....	11
4.6.2 Scenario diagram.....	11
4.7 ESC_COM_5 ODOMETER PRECISION.....	12
4.7.1 Description.....	12
4.7.2 Scenario diagram.....	13
4.8 ESC_COM_6 RESETTING THE CONFIDENCE INTERVAL.....	14
4.8.1 Description.....	14
4.8.2 Scenario diagram.....	14
4.9 ESC_COM_7 TECHNICAL FUNCTIONS OF ELECTRICAL TRACTION IN ZONE FS (VOLTAGE CHANGE).....	15
4.9.1 Description.....	15
4.9.2 Scenario diagram.....	15
4.10 ESC_COM_8 TECHNICAL FUNCTIONS OF ELECTRICAL TRACTION IN ZONE STM.....	16
4.10.1 Description.....	16
4.10.2 Scenario diagram.....	16
4.11 ESC_COM_9 TECHNICAL FUNCTIONS OF ELECTRICAL TRACTION IN ZONE FS (PHASE CHANGE).....	17
4.11.1 Description.....	17
4.11.2 Scenario diagram.....	17
4.12 ESC_TR_17 BOARD REACTION IN ABSENCE OF TRANSITION ACKNOWLEDGMENT.....	18
4.12.1 Scenario diagram.....	18

# 1. Introduction

## 1.1 Purpose of the document

The purpose of this document is to define the test scenarios to perform in order to prove the ETCS System Compatibility (ESC) between the trackside ETCS and the On-board. This document contains test cases applicable to all ETCS trackside types.

The test cases “ESC\_ALL\_x” needs to be done on each trackside type.

The test cases “ESC\_COM\_x” needs to be done on one of the trackside types (and are valid for the others trackside types).

The tests scenarios describes more in detail each “high level” scenarios defined in the ESC test plan [1].

The success of these test scenarios shall prove the technical compatibility between ETCS On-board and the Trackside part ETCS of the CCS subsystems within the ETCS areas on Infrabel network.

The technical specification for interoperability used are defined in [1].

If required, Infrabel can provide additional operational test scenarios performed during the verification that the trackside subsystem complies with the requirement of the TSI.

In case of doubt concerning the ESC of the board with the trackside, the railway undertaking shall take the required action with his supplier and inform Infrabel.

## 1.2 Basic documents

<b>Ref.</b>	<b>Title</b>	<b>Owner</b>
[1]	PSI (TC,ETCSsys,z) ESC TST PLN 1.2	Infrabel

## 1.3 Reference documents

<b>Ref.</b>	<b>Title</b>	<b>Owner</b>
[2]	PSI (TC,ETCSdata,z) national values 3.2 F	Infrabel

## 1.4 Annexes

<b>Ref.</b>	<b>Title</b>	<b>Owner</b>
[3]	Document	Owner

## 1.5 Scope

This document is applicable for all trains would run under the protection of ETCS on the Infrabel conventional network.

## 1.6 Definitions, symbols and abbreviations

2Y	Aspect wo yellow displayed by the signal
CCS	Control Command System
CES	Conditional Emergency Stop
DMI	Driver Machine Interface
ESC	ETCS System Compatibility
ETCS	European Train Control System
LS	Limited Supervision
NR	Not Relevant
OBU	On Board Unit
RNP	Aspect Red not permissive displayed by the signal

SBG	Signal Balise Group
SFE	Safe Front End
SoM	Start of Mission
TSI	Technical Specification for Interoperability
UES	Unconditional Emergency Stop

### **1.7 Known imperfections**

None

## **2. On-board Equipment**

Out of scope of railway manager Infrabel.

### 3. Functionalities

The tested functionalities are described in the table here under:

Test scenario (ref ESC TST PLN [1])	Tested functionality
ESC_ALL_1	Driving ergonomics and nominal conditions
ESC_ALL_2	Braking curves
ESC_COM_1	Receiving a P203 by an OBU B3
ESC_COM_2	National values of OBU B3 in absence of P203 (default values)
ESC_COM_3	National values of OBU B3 in absence of P203 (national values defined on board)
ESC_COM_4	Receiving a P203 by an OBU B2
ESC_COM_5	Odometer precision
ESC_COM_6	Resetting the confidence interval
ESC_COM_7	Technical functions of electrical traction in zone FS (voltage change)
ESC_COM_8	Technical functions of electrical traction in zone STM
ESC_COM_9	Technical functions of electrical traction in zone FS (phase change)
ESC_TR_17	Board reaction in absence of transition acknowledgment

The document will only describe the sequences to perform the scenarios but not all the actions to prepare the execution of the test scenarios.

## 4. Test scenarios

### 4.1 ESC\_ALL\_1: Driving ergonomics in nominal conditions

No specific scenario is defined. During the whole test campaign, the tester observes the behavior of the system in nominal situation while the driver acts in compliance with regulation.

### 4.2 ESC\_ALL\_2 : Braking curves

The assessment has 2 sections: a "theoretical" section and a "practical" section.

1) "Theoretical" section:

The applicant provides a demonstration of compliance with applicable Infrabel braking curves, which are assessed. The demonstration is generally based on the values of the parameters which intervene in the calculation of the braking curves and which shall be presented in a technical document by the applicant.

2) "Practical" section:

ESC Test Manager carries out braking tests during which several Data Entries are entered. For each Data Entry, the tester records the speeds, distance of indication and distance of intervention for each braking caused by the EVC. The Data Entry, speed and gradient values are then sent to the applicant who is asked to calculate / model the indication and intervention distances based on the parameters presented in the "theoretical" section. ESC Test Manager then compares the results provided by the applicant and those observed during the tests.

The ESC Test Manager validates the effect / integration of the parameters of the "theoretical" part on the braking curves calculation done by the ETCS system on the train. The ETCS Test Manager checks also that the braking curve are long enough to avoid a SPAD due to an ETCS intervention in the case of driver not reacting.

### 4.3 ESC\_COM\_1: Receiving a P203 by an OBU B3

This test case is only applicable to Baseline 3 trains and has to be executed on a trackside type sending P203 with M\_VERSION 1.1.

The test cases ESC\_TR\_3 or ESC\_TR\_4 can be used to test this functionality.

#### 4.3.1 Description

ID	Date	Location / Line		
ESC_COM_1	<dd/mm/yyyy>	<Line>		
Description	Functionalities tested : Receiving a P203 by an OBU B3 A Baseline 3 train with national values for LS-area receives national values for FS-area.			
Signal passed				
Name	Trackside datafile in service			
Test Scenarios				
Starting condition	<b>Train 1 is a Baseline 3 train with LS-area national values stored onboard.</b>			
	Train is in level 1, mode SR or LS			
	Train 1 is upwards a BG sending national values for FS area (P3 and P203)			
	<b>Be sure all authorisations are filled in before performing the test scenarios</b>			
Sequences of the test scenario				
Step	Step description	Description of what to be tested	Statement	Comment
1	Train passes the BG and receives the national values (P3 and P203)	The national values defined in P203 (see [2]) are stored onboard,	Pass / Fail	
Test scenario finished				

#### 4.3.2 Scenario diagram

None	
Final State	



#### 4.4 ESC\_COM\_2: National values of OBU B3 in absence of P203 (default values)

This test case is only applicable to Baseline 3 trains and has to be executed on a trackside type sending with M\_VERSION 1.0.

##### 4.4.1 Description

ID	Date	Location / Line		
ESC_COM_2	<dd/mm/yyyy>	<Line>		
Description	Functionalities tested : National values of OBU B3 in absence of P203 (default values)			
Signal passed				
Name	Trackside datafile in service			
Test Scenarios				
Starting condition	<b>Train 1 is a Baseline 3 train without Belgian national values stored onboard.</b>			
	Train is in level 1, mode SR or LS			
	Train 1 is upwards a BG sending national values for FS area (P3 only)			
<b>Be sure all authorisations are filled in before performing the test scenarios</b>				
Sequences of the test scenario				
Step	Step description	Description of what to be tested	Statement	Comment
1	Train passes the BG and receives an MA with the national values (P3 only)	The national values stored onboard are the default ones defined in the baseline 3 set of specifications.	Pass / Fail	
Test scenario finished				

##### 4.4.2 Scenario diagram

None	
Final State	

#### 4.5 ESC\_COM\_3: National values of OBU B3 in absence of P203 (national values defined on board)

This test case is only applicable to Baseline 3 trains and has to be executed on a trackside type with M\_VERSION 1.0.

##### 4.5.1 Description

ID	Date	Location / Line		
ESC_COM_3	<dd/mm/yyyy>	<Line>		
Description	Functionalities tested : National values of OBU B3 in absence of P203 (national values defined on board)			
Signal passed				
Name	Trackside datafile in service			
Test Scenarios				
Starting condition	<b>Train 1 is a Baseline 3 train with Belgian national values stored onboard.</b>			
	Train is in level 1, mode SR or LS			
	Train 1 is upwards a BG sending national values for FS area (P3 and P203)			
	<b>Be sure all authorisations are filled in before performing the test scenarios</b>			
Sequences of the test scenario				
Step	Step description	Description of what to be tested	Statement	Comment
1	Train passes the BG and receives an MA with the national values (P3 and P203)	The national values defined stored onboard corresponds to those listed in [2].	Pass / Fail	
Test scenario finished				

##### 4.5.2 Scenario diagram

None	
Final State	

#### 4.6 ESC\_COM\_4: Receiving a P203 by an OBU B2

This test case is only applicable to Baseline 2 trains and has to be executed on a trackside type sending P203 with M\_VERSION 1.1.

The test cases ESC\_TR\_3 or ESC\_TR\_4 can be used to test this functionality.

##### 4.6.1 Description

ID	Date	Location / Line		
ESC_COM_4	<dd/mm/yyyy>	<Line>		
Description	<ul style="list-style-type: none"> <li>Receiving a P203 by an OBU B2</li> </ul>			
Signal passed				
Name	Trackside datafile in service			
Test Scenarios				
Starting condition	<b>Train 1 is a Baseline 2 train.</b>			
	Train is in level 1, mode SR or LS			
	Train 1 is upwards a BG sending national values (P3 and P203)			
<b>Be sure all authorisations are filled in before performing the test scenarios</b>				
Sequences of the test scenario				
Step	Step description	Description of what to be tested	Statement	Comment
1	Train passes the BG and receives an MA with the national values (P3 and P203)	The OBU accepts the message and the national values defined in P3 are stored onboard.	Pass / Fail	
Test scenario finished				

##### 4.6.2 Scenario diagram

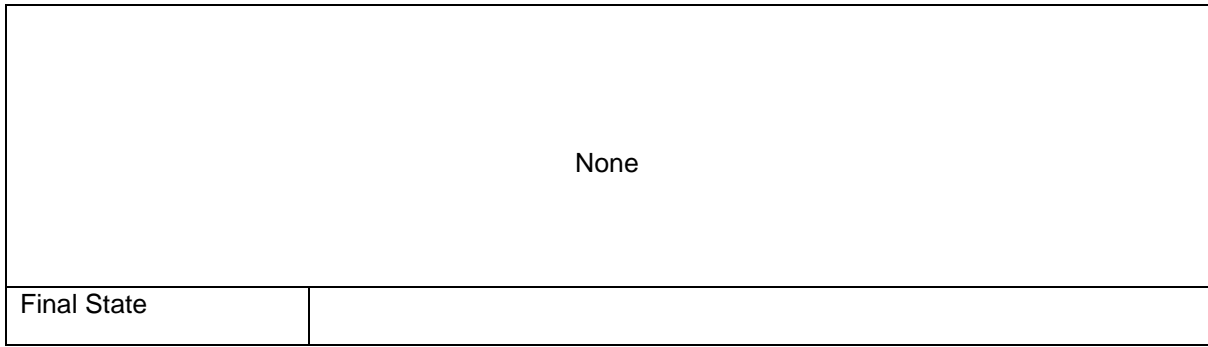
None	
Final State	

## 4.7 ESC\_COM\_5: Odometer precision

### 4.7.1 Description

ID		Date	Location / Line	
ESC_COM_5		<dd/mm/yyyy>	<Line>	
Description		Odometer precision		
Signal passed				
Name			Trackside datafile in service	
Test Scenarios				
Starting condition		Train is in SR mode.		
		<b>Be sure all authorisations are filled in before performing the test scenarios</b>		
Sequences of the test scenario				
Step	Step description	Description of what to be tested	Statement	Comment
1	An error is introduced while recording the wheel diameter	None		
2	Train starts	odometry errors are recorded by the JRU: Distances and errors are listed here under : Distance 1: <xxx> m L_DOUBTUNDER : <xxx> m L_DOUBTOVER : <xxx> m Distance 2: <xxx> m L_DOUBTUNDER : <xxx> m L_DOUBTOVER : <xxx> m ...	Pass / Fail	
4	Correct the error in the wheel diameter	None		
Test scenario finished				

**4.7.2 Scenario diagram**

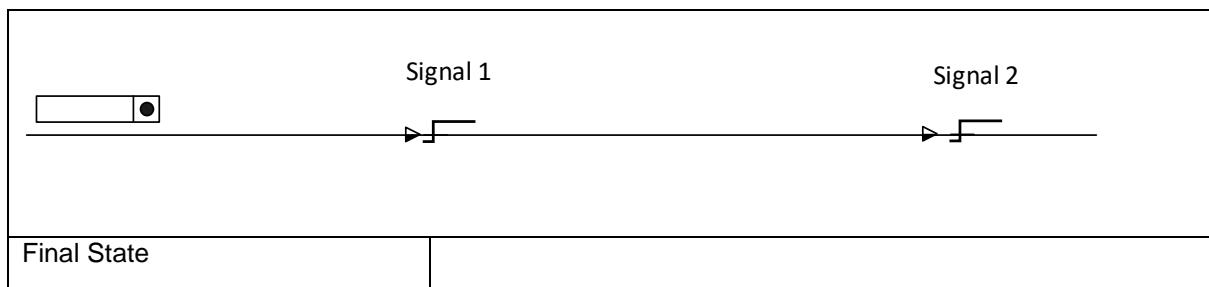


## 4.8 ESC\_COM\_6: Resetting the confidence interval

### 4.8.1 Description

ID	Date	Location / Line		
ESC_COM_6	<dd/mm/yyyy>	<Line>		
Description	Resetting the confidence interval, Checking the resetting of the confidence interval when passing a BG when there is chaining information on board and when there isn't chaining on board.			
Signal passed				
Name	Trackside datafile in service			
Signal 1 :<signal name>	is an open signal equipped with an ETCS1 FS SBG			
Signal 2 :<signal name>	is an open signal equipped with an ETCS1 FS SBG			
Test Scenarios				
Starting condition	Train 1 is in level 1 mode SR.			
	Train is more than 250m upwards signal 1 without BG between the train and the SBG.			
	<b>Be sure all authorisations are filled in before performing the test scenarios</b>			
Sequences of the test scenario				
Step	Step description	Description of what to be tested	Statement	Comment
1	Train starts	Odometry error increase	Pass / Fail	
2	Train passes the SBG of signal 1	Train changes to FS mode and odometry is reset (L_DOUBTUNDER and L_DOUBTOVER)	Pass / Fail	
3	Train passes the SBG of signal 2	Odometry is reset (L_DOUBTUNDER and L_DOUBTOVER)	Pass / Fail	
4			Pass / Fail	
Test scenario finished				

### 4.8.2 Scenario diagram

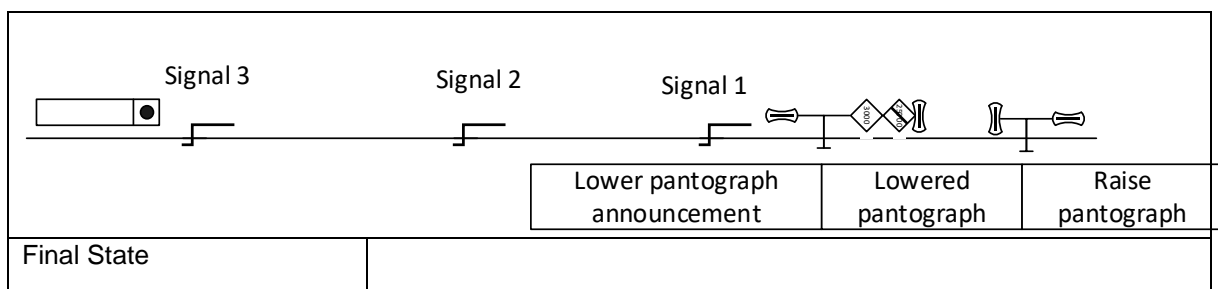


## 4.9 ESC\_COM\_7: Technical functions of electrical traction in zone FS (voltage change)

### 4.9.1 Description

ID		Date		Location / Line	
ESC_COM_7		<dd/mm/yyyy>		<Line>	
Description		Functionalities tested : Technical functions of electrical traction in zone FS (catenary voltage change)			
Signal passed					
Name			Trackside datafile in service		
Signal 1 : <signal name> is protecting an area where a track condition is defined.					
Test Scenarios					
Starting condition		<b>Train is in FS mode upwards signal 3.</b>			
		<b>Be sure all authorisations are filled in before performing the test scenarios</b>			
Sequences of the test scenario					
Step	Step description	Description of what to be tested	Statement	Comment	
1	Train approaches Signal 1 in FS mode	“Lower pantograph announcement” icon is displayed on the DMI.	Pass / Fail		
2	Train passes the panel at the entry of the change of power traction area.	“Lower pantograph” icon is displayed on the DMI.	Pass / Fail		
3	Last pantograph of the train passes the panel at the end of the change of power traction area.	“Raise pantograph” icon is displayed on the DMI	Pass / Fail		
Test scenario finished					

### 4.9.2 Scenario diagram



## 4.10 ESC\_COM\_8: Technical functions of electrical traction in zone STM

### 4.10.1 Description

ID	Date	Location / Line		
ESC_COM_8	<dd/mm/yyyy>	<Line>		
Description	Functionalities tested : Technical functions of electrical traction in zone STM			
Signal passed				
Name	Trackside datafile in service			
Test Scenarios				
Starting condition	<b>Train is in ETCS Level 1 or 2.</b>			
<b>Be sure all authorisations are filled in before performing the test scenarios</b>				
Sequences of the test scenario				
Step	Step description	Description of what to be tested	Statement	Comment
1	Train receives a P39 with a first M_VOLTAGE.	Permitted voltage is stored onboard.	Pass / Fail	
2	Train passes a level transition to STM	Train switches to STM.	Pass / Fail	
3	Train receives a P39 with a second M_VOLTAGE	Train continues in STM	Pass / Fail	
4	Train passes a level transition to ETCS 1 or ETCS 2.	Train continues in ETCS1 or 2 with the correct voltage.	Pass / Fail	
Test scenario finished				

### 4.10.2 Scenario diagram

None	
Final State	

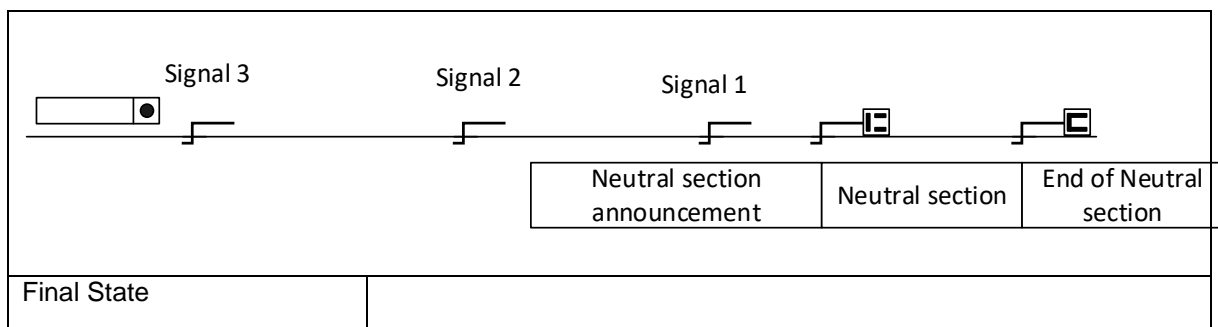


## 4.11 ESC\_COM\_9: Technical functions of electrical traction in zone FS (phase change)

### 4.11.1 Description

ID	Date	Location / Line		
ESC_COM_9	<dd/mm/yyyy>	<Line>		
Description	Functionalities tested : Technical functions of electrical traction in zone FS (catenary phase change) on a 25kV line.			
Signal passed				
Name	Trackside datafile in service			
Signal 1 : <signal name>	is protection an area where a track condition is defined.			
Test Scenarios				
Starting condition	<b>Train is in FS mode upwards signal 3.</b>			
	<b>Be sure all authorisations are filled in before performing the test scenarios</b>			
Sequences of the test scenario				
Step	Step description	Description of what to be tested	Statement	Comment
1	Train approaches Signal 1 in FS mode	"Neutral section announcement" icon is displayed on the DMI.	Pass / Fail	
2	Train passes the panel at the entry of the change of power traction area.	"Neutral section" icon is displayed on the DMI.	Pass / Fail	
3	Last pantograph of the train passes the panel at the end of the change of power traction area.	"End of Neutral section" icon is displayed on the DMI	Pass / Fail	
Test scenario finished				

### 4.11.2 Scenario diagram



**4.12 ESC\_TR\_17: Board reaction in absence of transition acknowledgment**

ID		Date		Location / Line	
ESC_TR_17		<dd/mm/yyyy>		<Line>	
Description		Board reaction in absence of level transition acknowledgment (transition for level STM to ETCS1 or ETCS2).			
Signal passed					
Name			Trackside datafile in service		
Signal S1: <signal name> is open (green) and is at a level transition to ETCS1 or ETCS2.					
Test Scenarios					
Starting condition		Train is in STM upwards of signal S1			
		<b>Be sure all authorisations are filled in before performing the test scenarios</b>			
Sequences of the test scenario					
Step	Step description	Description of what to be tested	Statement	Comment	
1	Train starts and receives a level transition order. The driver doesn't acknowledge the transition.	A service brake reaction is triggered.	Pass / Fail		
2	Drivers acknowledge the level transition.	Train level changes to ETCS1 or ETCS2.	Pass / Fail		
Test scenario finished					

**4.12.1 Scenario diagram**

None	
Final State	